


PRODUCT SHEET

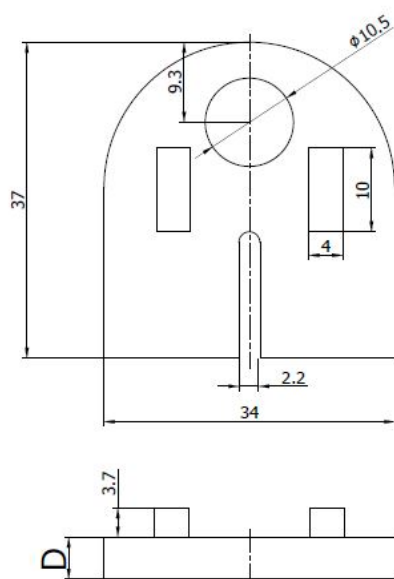
Description:

Cushion N F/Clamp "Corner", 3,6mm, Glass 8,76mm,Black EPDM

Item number:

22.10.286-0

Units	Box	Carton	HS Code	Barcode
Pcs.	8	200	4016930090	 5704866496346



SISO A/S

Mileparken 11
DK-2740 Skovlunde
Denmark
VAT: DK 24786013

Phone +45 45 830 900

www.siso.dk
siso@siso.dk

Danske Bank
Nytorv Branch
Copenhagen
SWIFT: DABADKKK

Account no.
4180 3112 112936
IBAN Account
DK7230003112112936